

HERO 375

ECOWATER SERIES • DRINKING WATER SYSTEM



Reverse Osmosis Drinking Water System

HERO 375

The HERO 375 Reverse Osmosis (RO) system provides high-quality water for worry-free drinking or cooking. This state-of-the-art filtration system will improve water quality for well or municipal water supplies.

How an RO Works:

- 1 Household water is directed through a prefilter for filtration to remove sediment, chlorine taste and odor, and particulate matter.
- 2 The water is then forced, by pressure, through a semi-permeable membrane where a high percentage of the dissolved solids, etc. are rejected and flushed to the drain.
- 3 Filtered water is reserved in the storage tank until needed. An activated carbon absorption block filter that removes tastes and odors polishes the water immediately before going to the faucet.

Features:

- Patented HydroLink® communication technology allows for the remote display of valuable product performance, water usage and filter life information when installed in conjunction with the EcoWater Series 3500 product line.
- Unique and elegant chrome, brushed nickel, oil-rubbed bronze, white and black faucet styles.
- Industry rated, 50 gallons per day membrane production rate, (actual production rate will vary depending on water usage and conditions).
- The filters are enclosed for cleanliness and ease of replacement.
- Changing filters does not require turning off the water, a simple 1/4 turn of the filter shuts off the water and the filter is released at the same time.
- A light is mounted in the base of the faucet indicating when filters and membrane need to be replaced.

Options:

- System is expandable if additional filters need to be added.
- Additional filter selections are available, including higher capacity sediment, or a Volatile Organic Compound (VOC) rated filter.
- The membrane can be upgraded to a 75 gallon per day membrane.
- Adaptor kits are available to easily add a permeate pump system, which provides improved flow rates at the faucet.
- Booster pump system is available in applications where the home pressure can drop below 40 PSI.



Optional Electronic Faucet Base



Chrome

Brushed Nickel

Oil-Rubbed Bronze

White

Black



Made in USA

ECOWATER
SYSTEMS®



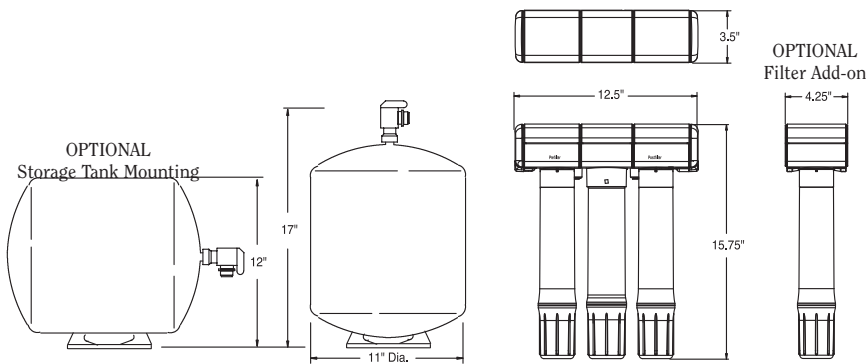
SINCE 1925.

A Marmon Water/Berkshire Hathaway Company

ECOWATER.COM

HERO 375

DIMENSIONS



This drawing illustrates some of the customizable filter connection options the HERO 375 has to offer. Additional filter(s) may be added on to either side of standard unit.

Warranty:

- Five years on the reverse osmosis drinking water system for defects in material and workmanship, and 10 years on the storage tank.
- Exclusions to five years; one year on reverse osmosis membrane, and three years on faucet and electronics.
- The service life of the membrane and filter cartridges is dependent on the feedwater quality. Filters are not covered by the warranty.

- Optional sediment filter available
- Optional NSF Certified VOC* filter available

* VOC = Volatile Organic Compounds, 51 compounds in all, including MTBE, Atrazine, Benzene, Carbon Tetrachloride, 2,4-D, Toluene, Trihalomethanes, and Xylenes

SPECIFICATIONS

HERO 375

Feed water pressure (min.-max.)	40-100 psi
Feed water temperature (min.-max.)	40-100°F
Maximum Total Dissolved Solids (TDS)	2,000 ppm
Membrane percent rejection of TDS	92%
System product water production rate (gal. per day)*	19.7
Feed water pH limits	4-11 pH
Maximum iron / manganese (max.)	0
Maximum hydrogen sulfide	0
Type of membrane	thin film composite
Prefilter (sediment/chlorine)	block carbon
Postfilter (taste and odor)	block carbon
<i>Optional:</i>	
VOC filter	block carbon
Sediment filter	polypropylene fibers
High-flow membrane	thin film composite
Permeate pump adaptor	
Storage tank capacity	3.1 gal.
Automatic shut off valve	yes
Shipping weight	22 lbs.

*Tested to NSF/ANSI Standard 58.

HERO 375: For municipal and well water applications.

Chlorine levels must not exceed 2.0 ppm

Typical impurities reduced by an EcoWater Reverse Osmosis Drinking Water System Model HERO 375 TFC System.

- Ammonium¹
- Arsenic (Pentavalent)
- Barium
- Bicarbonate¹
- Bromide¹
- Cadmium
- Chloride¹
- Chromium (Hex)
- Chromium (Tri)
- Chloride
- Copper
- Cysts (Giardia/Cryptosporidia)
- Lead
- Magnesium¹
- Nitrate/Nitrite
- Radium 226/228
- Selenium
- Sodium¹
- Sulfate¹
- Tannin¹
- TDS
- Turbidity
- Zinc¹

Tested and Certified to NSF/ANSI Standard 58 by NSF International. Rated at 50 psi, 77 F, 750 ppm/TDS, product to storage tank. Product water produced, amount of waste water and percent rejection will vary with changes in pressure, temperature and total dissolved solids.

¹Tested by Spectrum Labs, Inc. a state certified testing laboratory.

ECOWATER
SYSTEMS®



SINCE 1925.

EcoWater Systems LLC
P.O. Box 64420
St. Paul, MN 55164-0420
www.ecowater.com

EcoWater Systems Ltd.
#1 Independent Bus. Pk. Mill Rd.
Stokenchurch, Bucks
United Kingdom HP14 3TP

EcoWater Canada Ltd.
5240 Bradco Blvd.
Mississauga, Ontario
Canada L4W 1G7

EcoWater Systems Europe N.V.
Geelseweg 56
2250 Olen
Belgium

Kunshan EcoWater Systems Company, Ltd.
483 San Xiang Road
Kunshan Economic & Technical
Development Zone
Kunshan, Jiangsu Province, PRC 215335



Mixed Sources
Product group from well-managed forests, controlled sources and recycled wood or fiber
www.fsc.org Cert no. XXX-XXX-000
© 1996 Forest Stewardship Council



0602888 10/10

Printed in the U.S.A.

© 2010 EcoWater Systems LLC

ECOWATER.COM